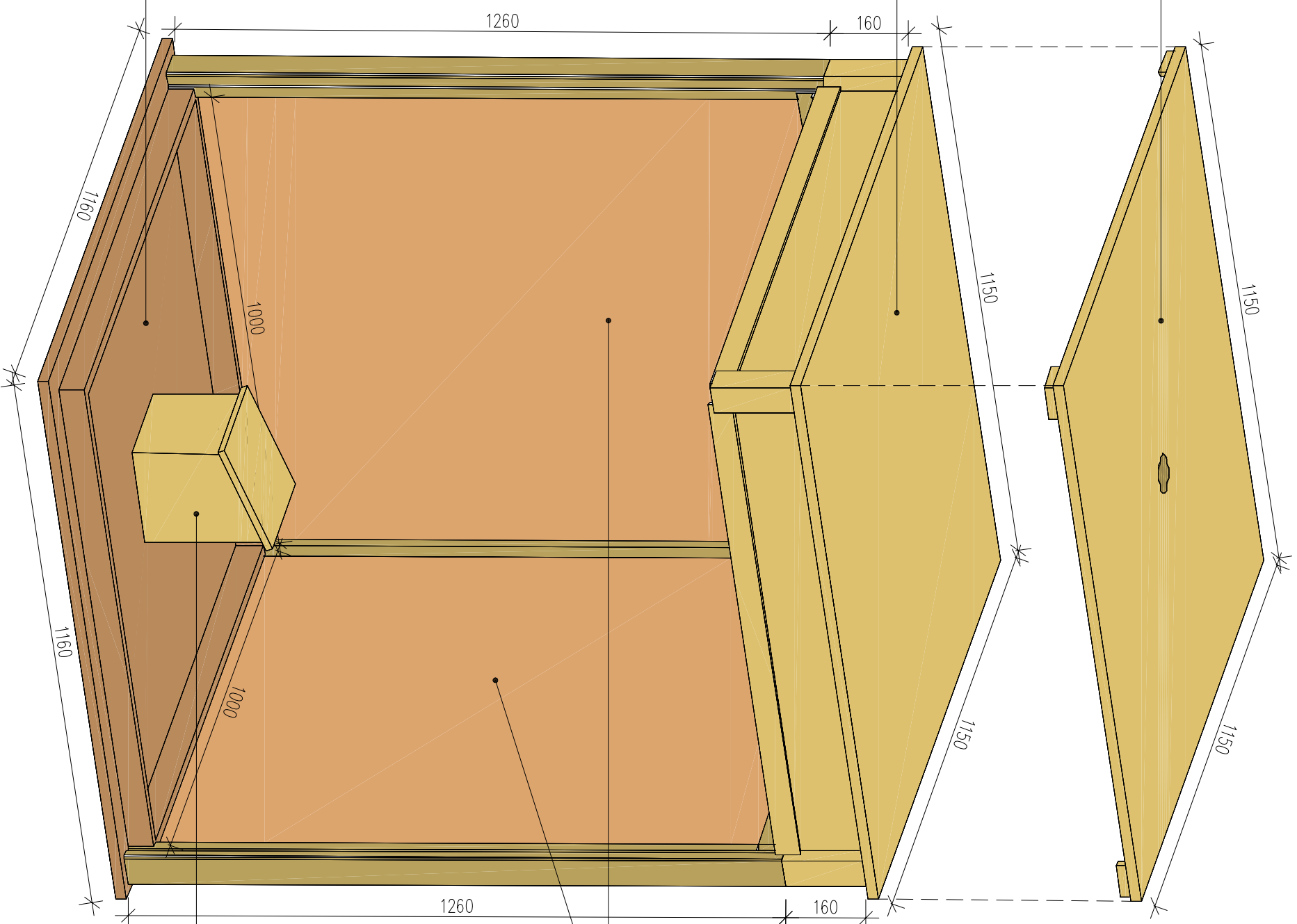


removable cover no.1
spot light is fixed in the middle
to simulate clear sky

removable cover no.2
fluorescent light is fixed on the cover
with a white plastic panel (light diffuser)
to simulate overcast sky

base of chamber
space for placing building models
wheels to be adjusted at the bottom

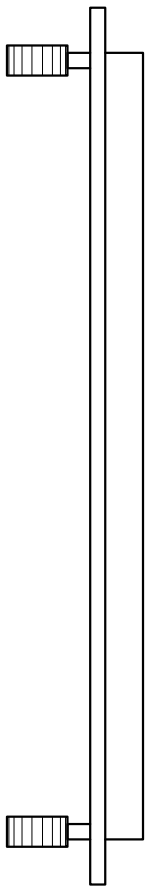


side panels
mirrors to be fixed in the inside
to reflect light

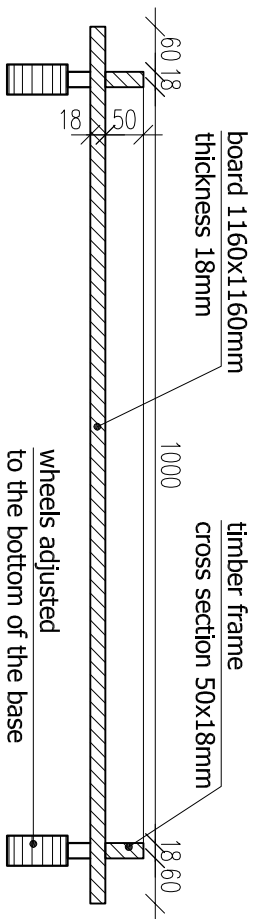
building model
four models will be examined
with different roof inclination

notes	designer	project	work package	dwg title	project no.	dwg no.
	P.R.K.L. SOLAR CENTURY LTD	Design, development and application of a technologically advanced system of natural daylight and artificial PV lighting - Hybrid Light Tube	WP3_ Modular scaled model design and investigation	DARK CHAMBER_ COMPLETE MODEL	HLT1401	DC_01
			task	revisions	date	scale
			Dark chamber design and construction		08 / 2015	-

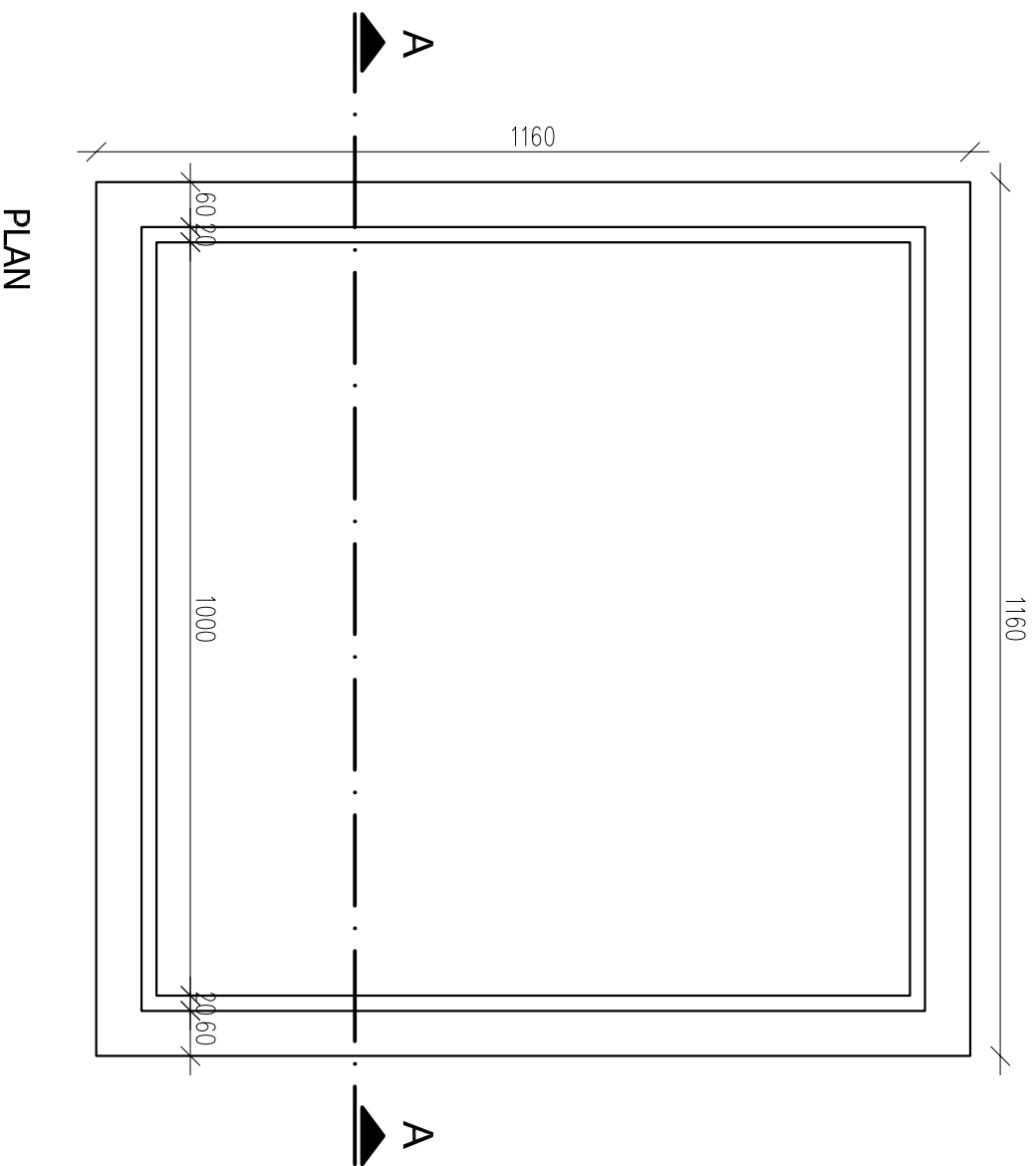
BASE OF DARK CHAMBER



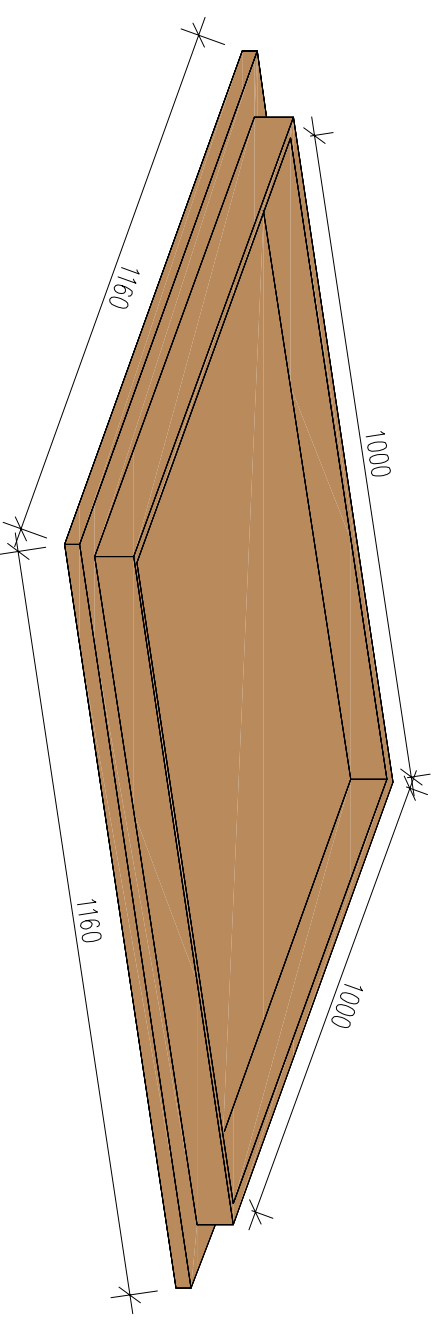
ELEVATION



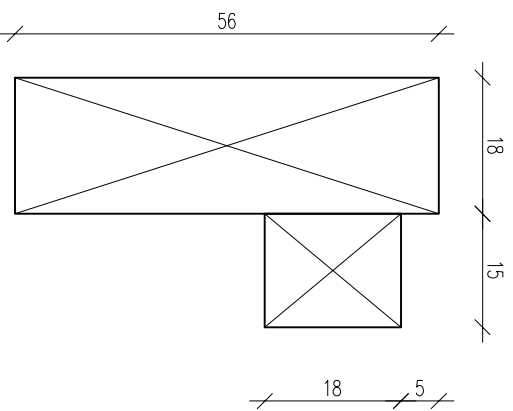
SECTION A-A



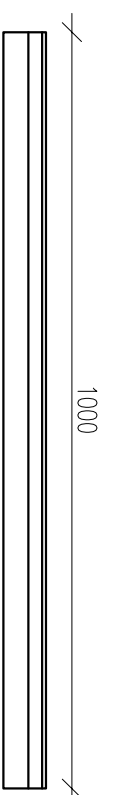
PLAN



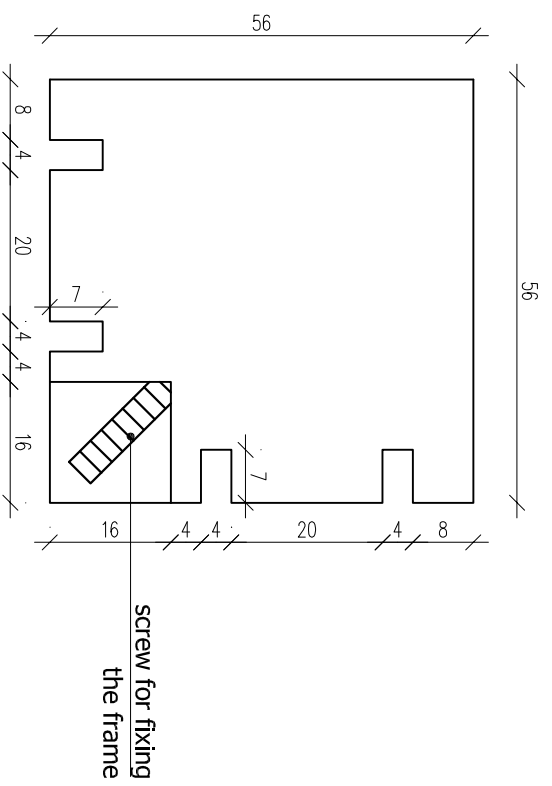
notes	designer	project	work package	dwg title	revisions	date	project no.	dwg no.
	P.R.K.L. SOLAR CENTURY LTD	Design, development and application of a technologically advanced system of natural daylight and artificial PV lighting - Hybrid Light Tube	WP3_ Modular scaled model design and investigation	DARK CHAMBER_ BASE		08 / 2015	HLT1401	DC_02
			task				detail	scale
			Dark chamber design and construction					1:10



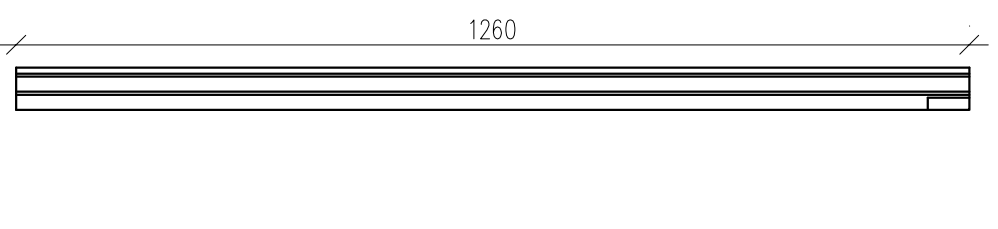
ELEVATION
Scale: 1:10



CROSS SECTION OF HORIZONTAL TIMBER ELEMENTS
Scale: 1:1

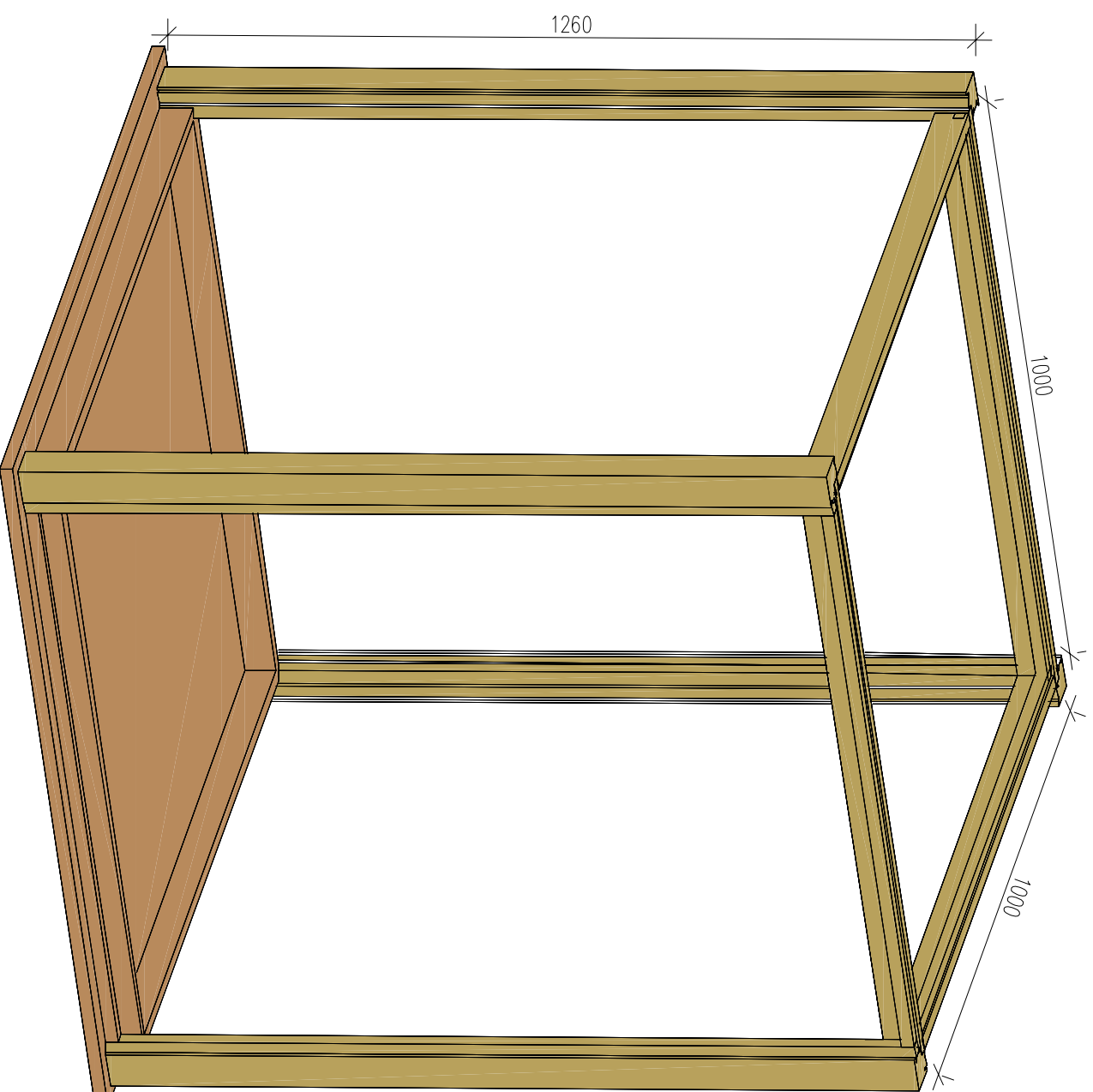


CROSS SECTION OF VERTICAL TIMBER ELEMENTS
Scale: 1:1



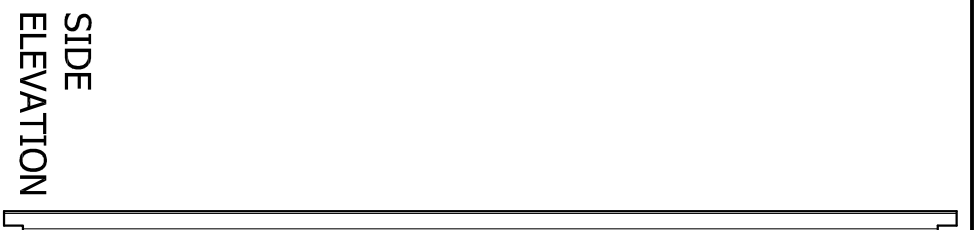
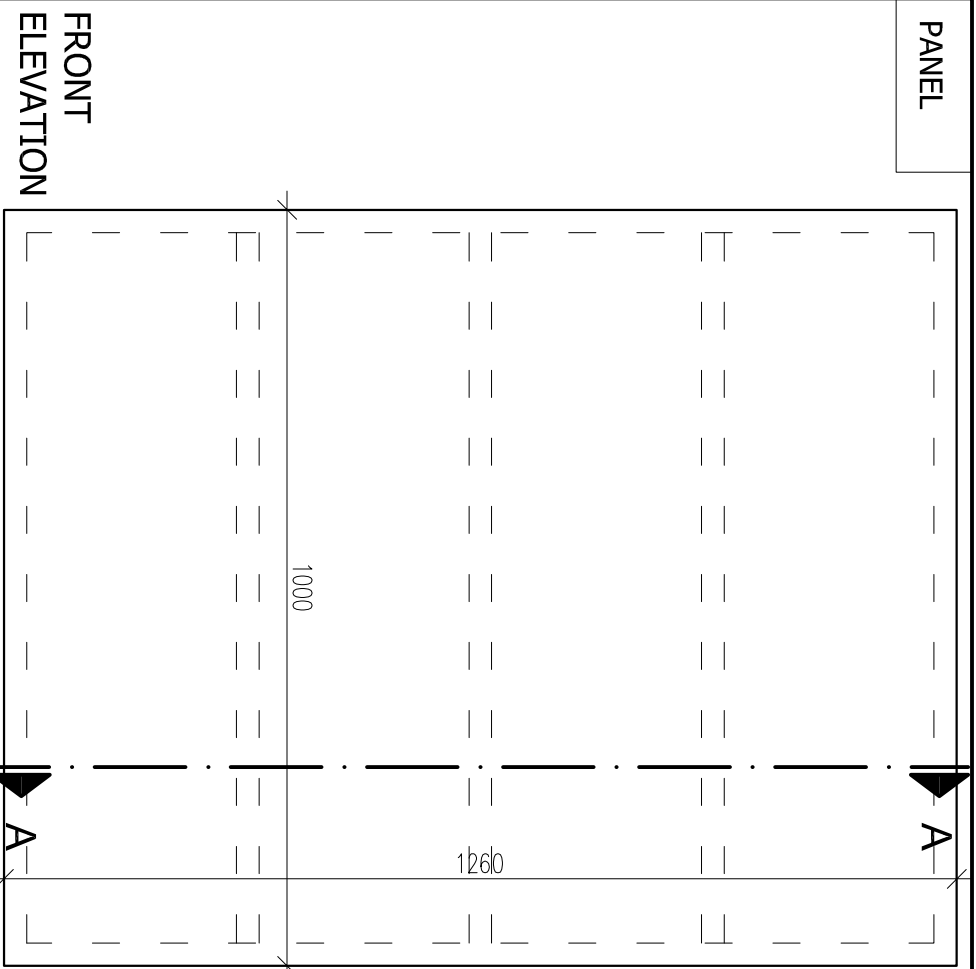
ELEVATION
Scale: 1:10

FRAME OF DARK CHAMBER



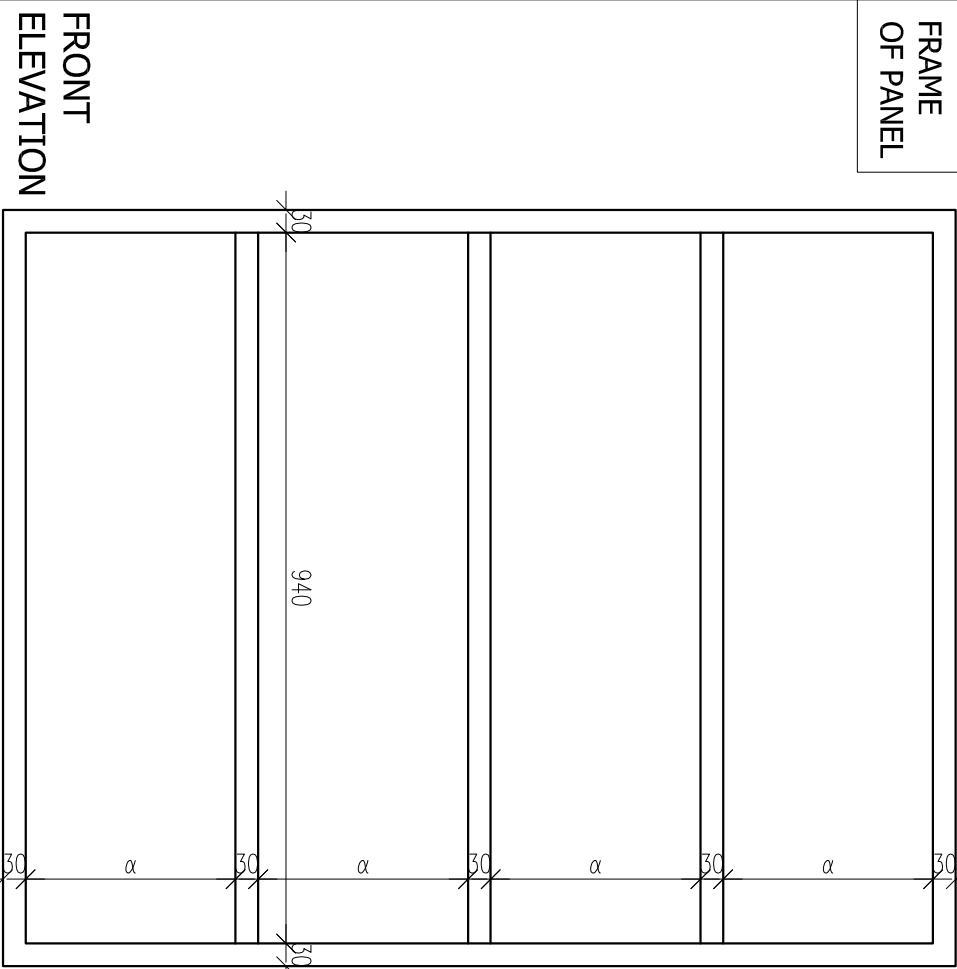
notes	designer	project	work package	dwg title	revisions	date	project no.	dwg no.
	P.R.K.L. SOLAR CENTURY LTD	Design, development and application of a technologically advanced system of natural daylight and artificial PV lighting - Hybrid Light Tube	WP3_ Modular scaled model design and investigation	DARK CHAMBER_ FRAME		08 / 2015	HLT1401	DC_03
			task				detail	scale
			Dark chamber design and construction					1:10 , 1:1

PANEL

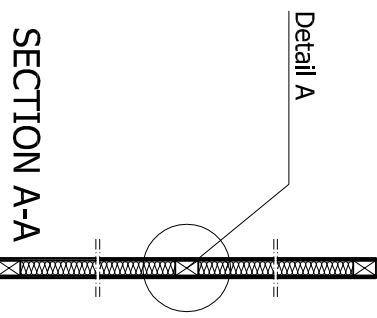


SIDE PANELS OF DARK CHAMBER

FRAME OF PANEL



SECTION A-A



Detail A

mdf thickness 3mm

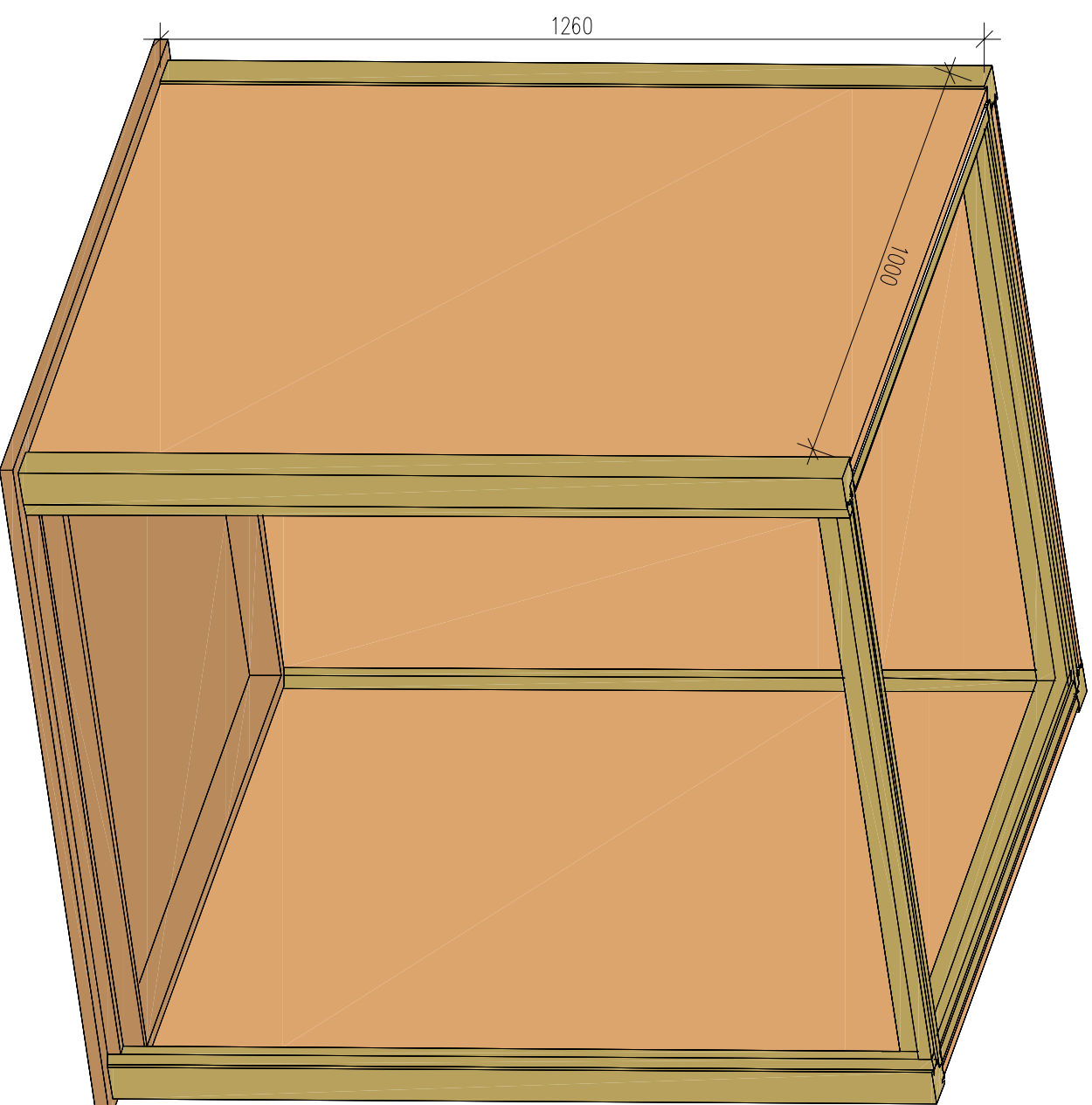
polysterene 20mm

timber frame cross section 20x30mm

mdf thickness 3mm

DETAIL A

Sc. 1:1



notes

designer P.R.K.L. SOLAR CENTURY LTD

project Design, development and application of a technologically advanced system of natural daylight and artificial PV lighting - Hybrid Light Tube

work package WP3_ Modular scaled model design and investigation

task Dark chamber design and construction

dwg title DARK CHAMBER_ SIDE PANELS

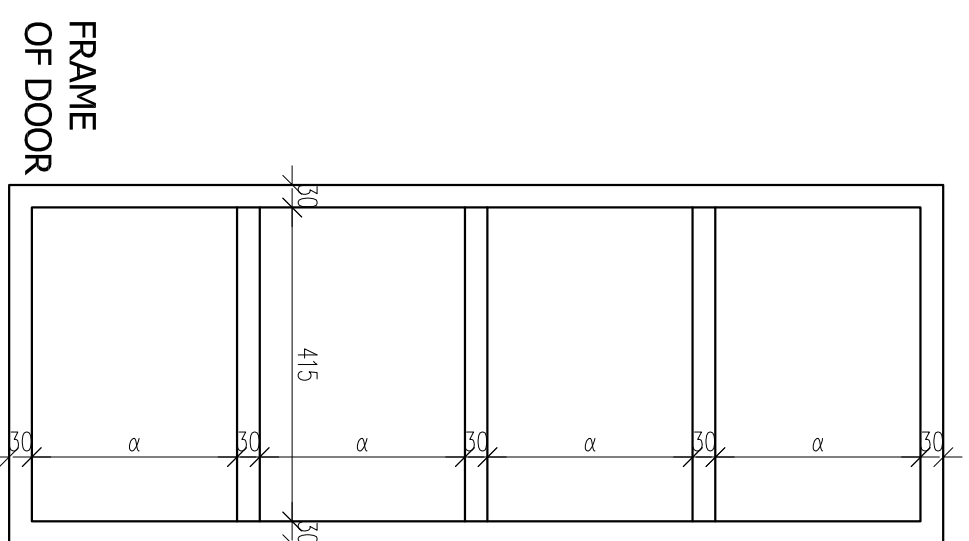
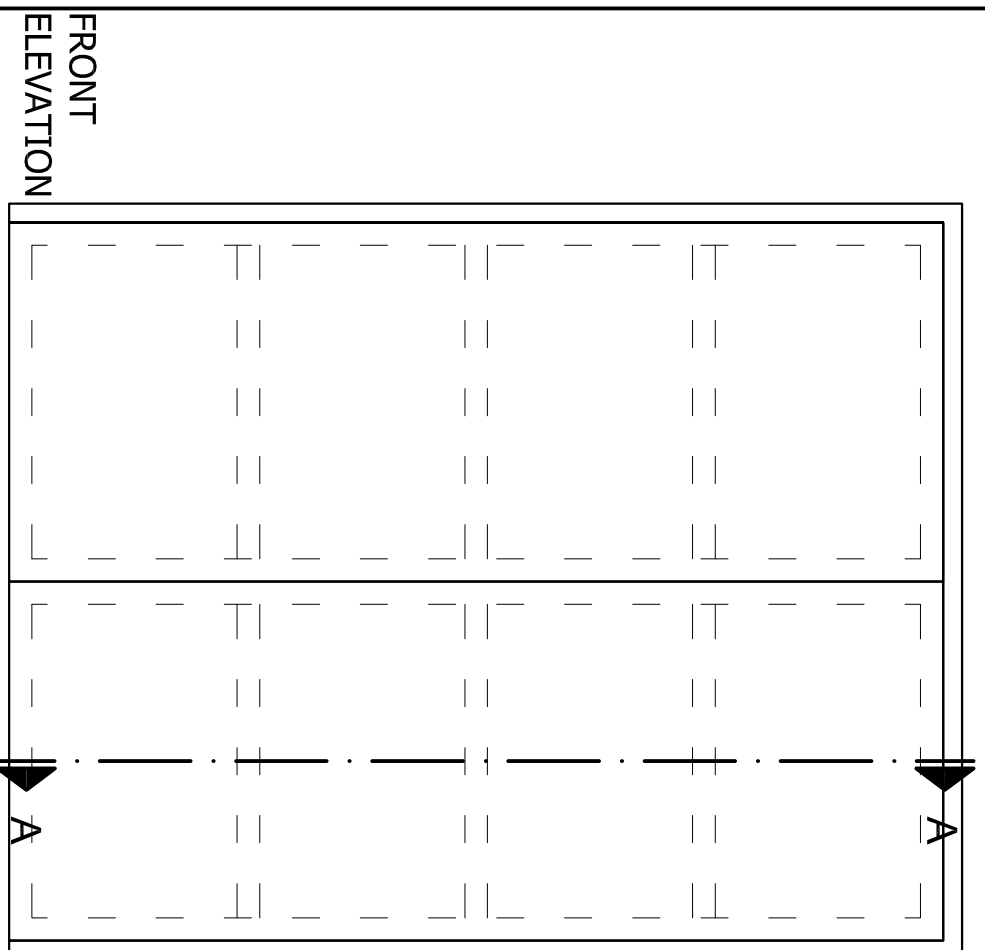
revisions

date 08 / 2015

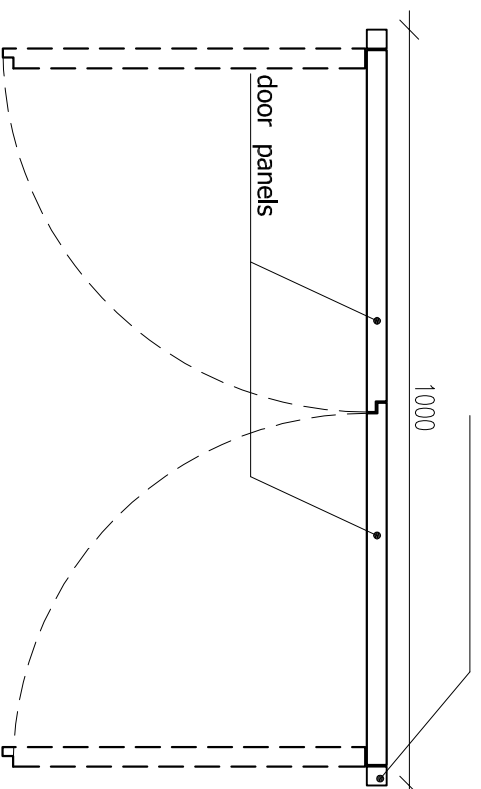
project no. HLT1401

dwg no. DC_04

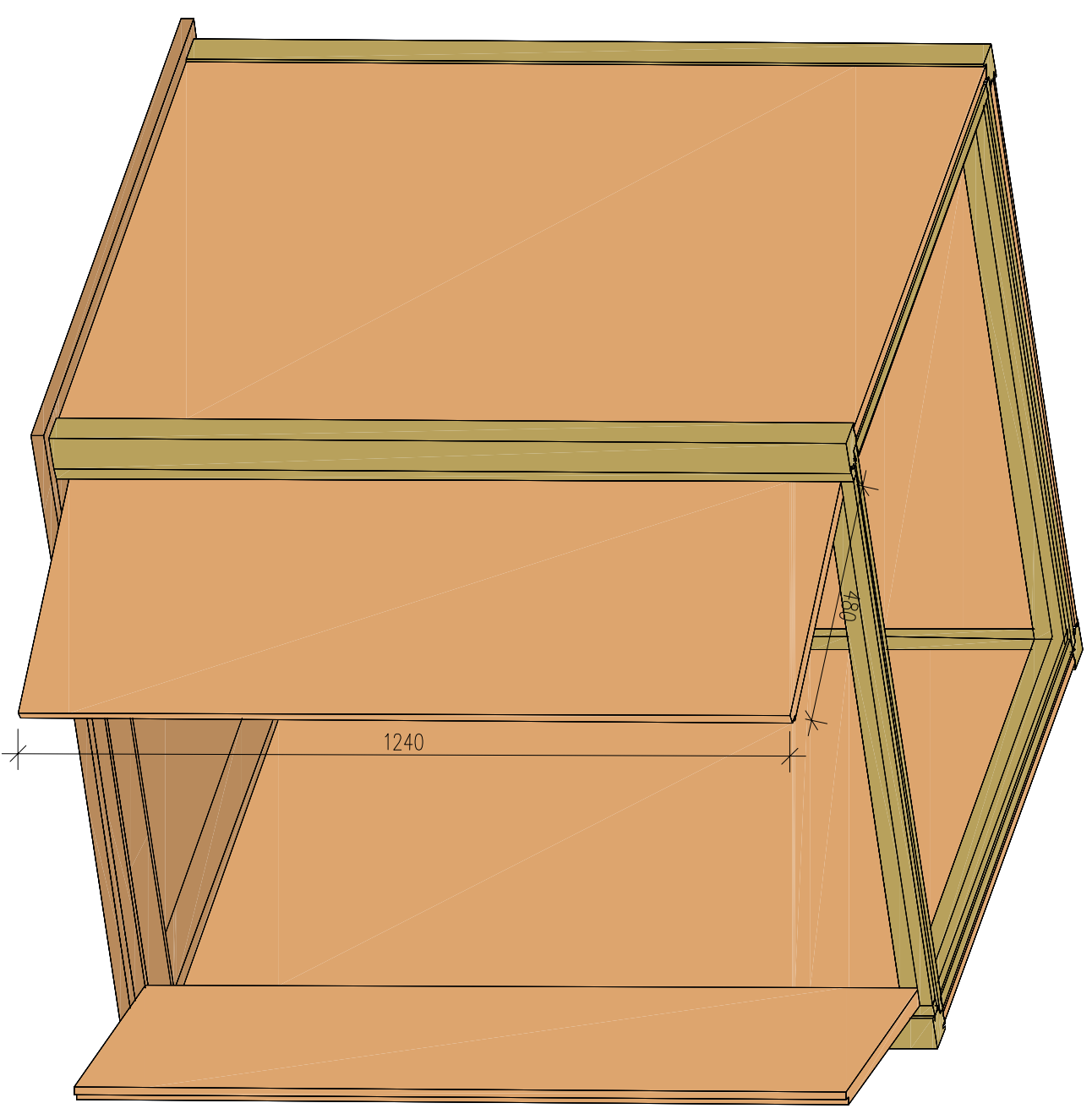
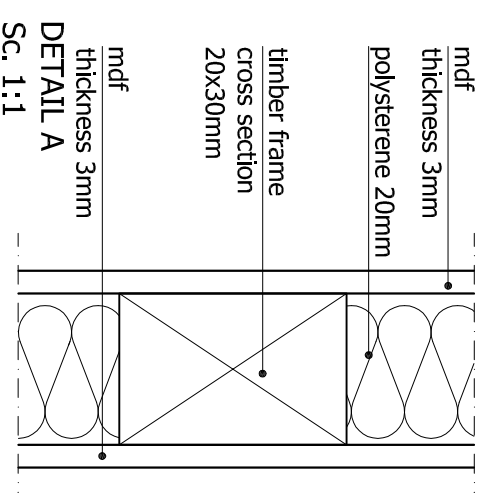
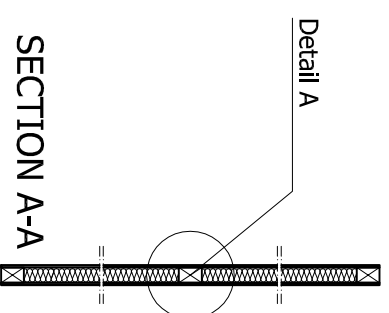
scale 1:10 , 1:1



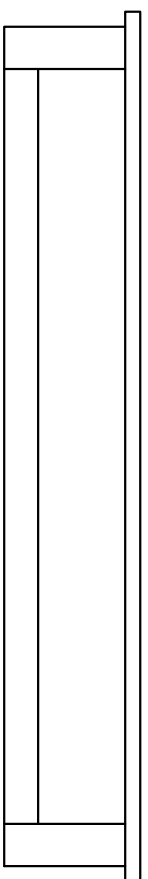
PLAN



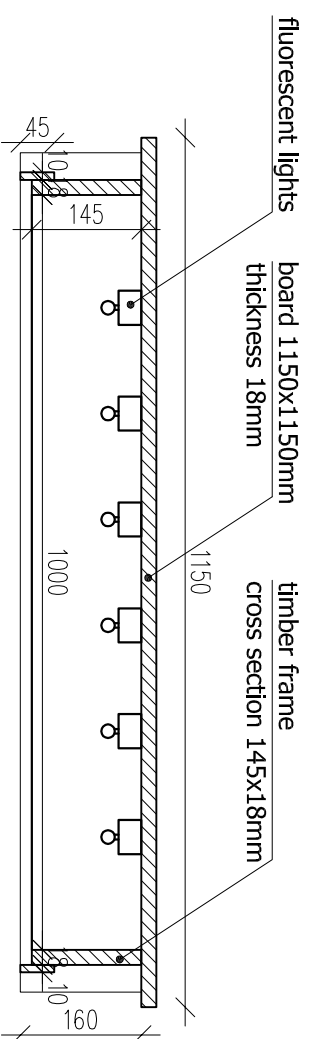
SECTION A-A



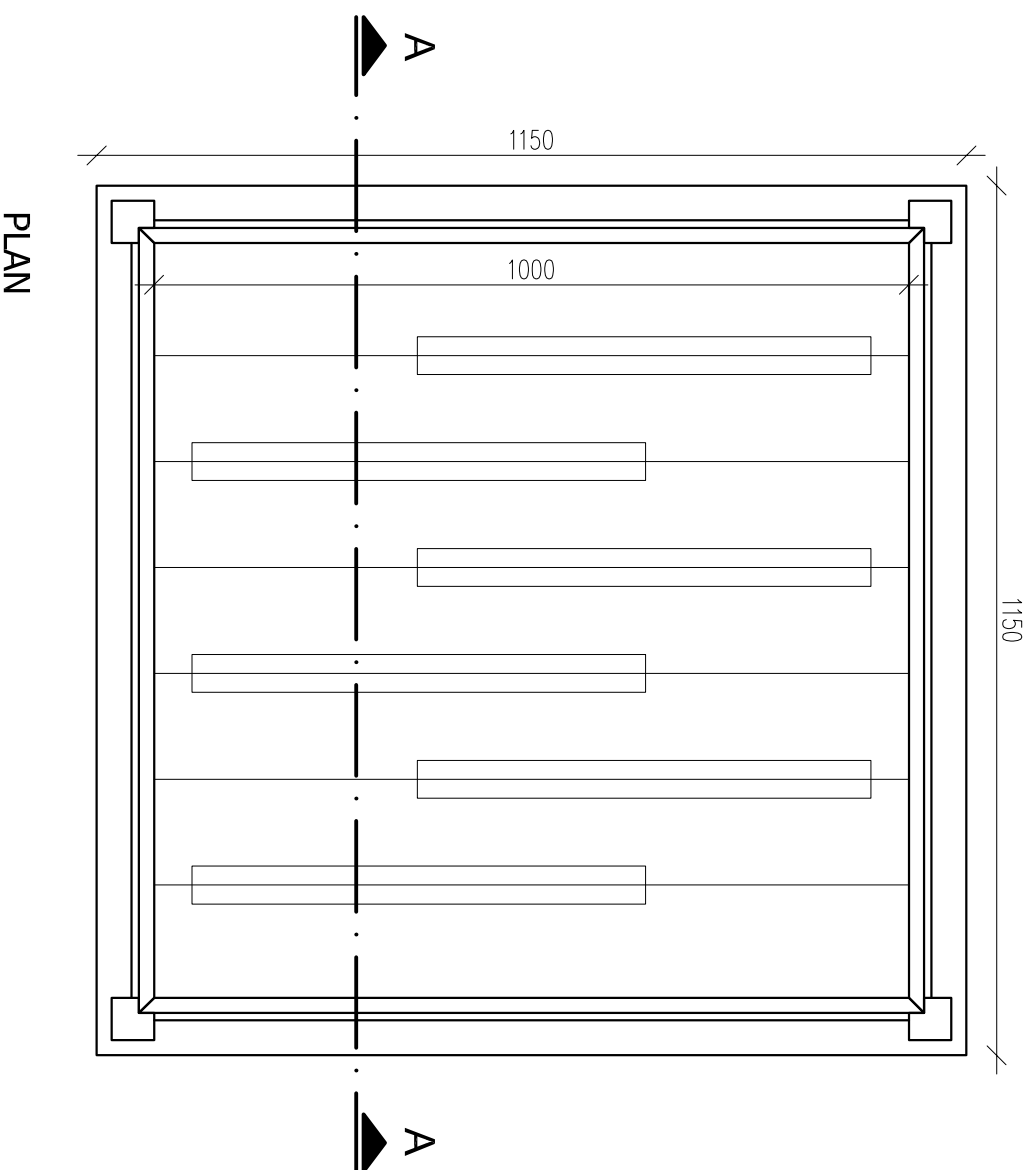
notes	designer	project	work package	dwg title	revisions	date	project no.	dwg no.
	P.R.K.L. SOLAR CENTURY LTD	Design, development and application of a technologically advanced system of natural daylight and artificial PV lighting - Hybrid Light Tube	WP3_ Modular scaled model design and investigation	DARK CHAMBER_ DOORS		08 / 2015	HLT1401	DC_05
			task				detail	scale
			Dark chamber design and construction					1:10 , 1:1



ELEVATION

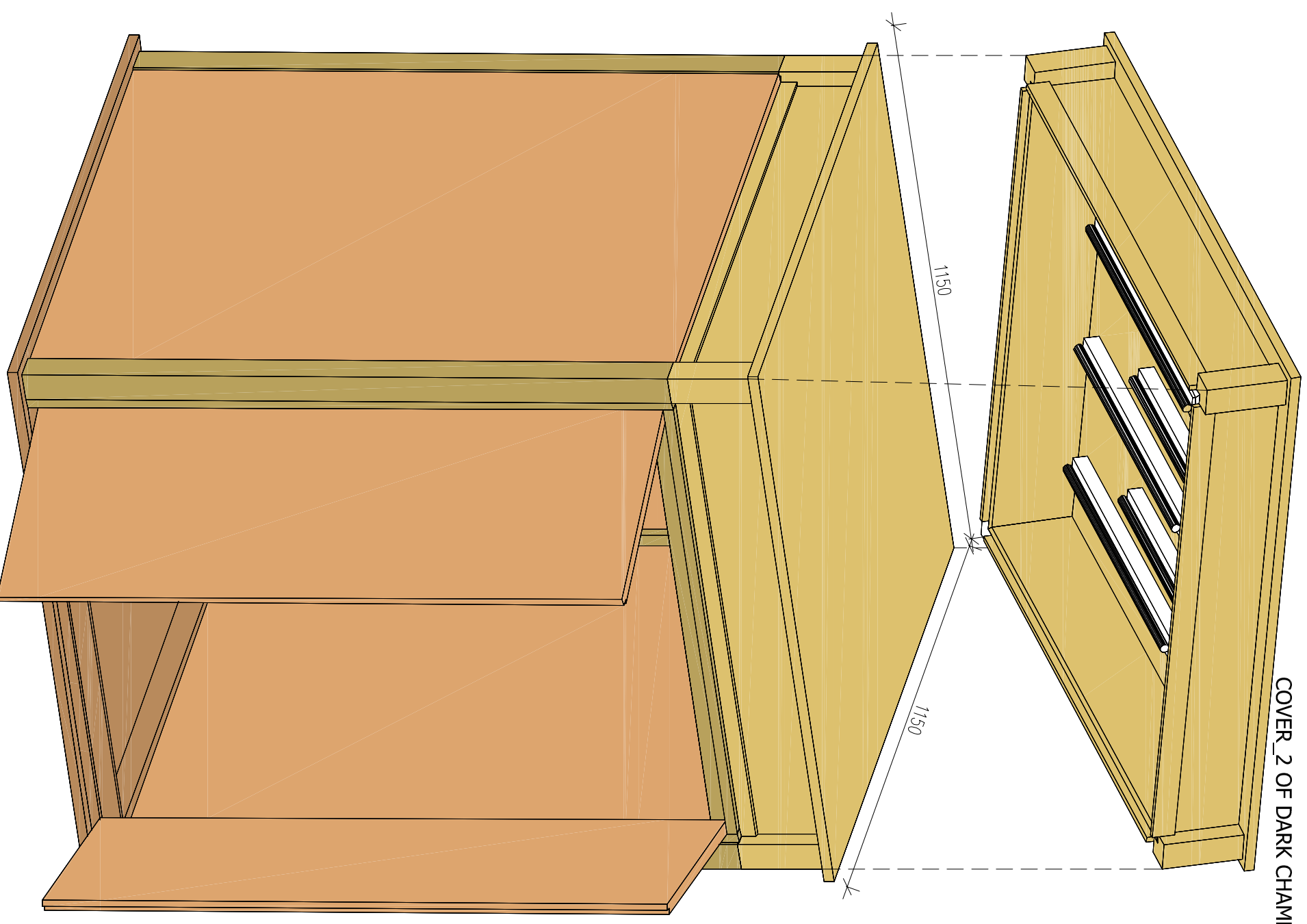


SECTION A-A



PLAN

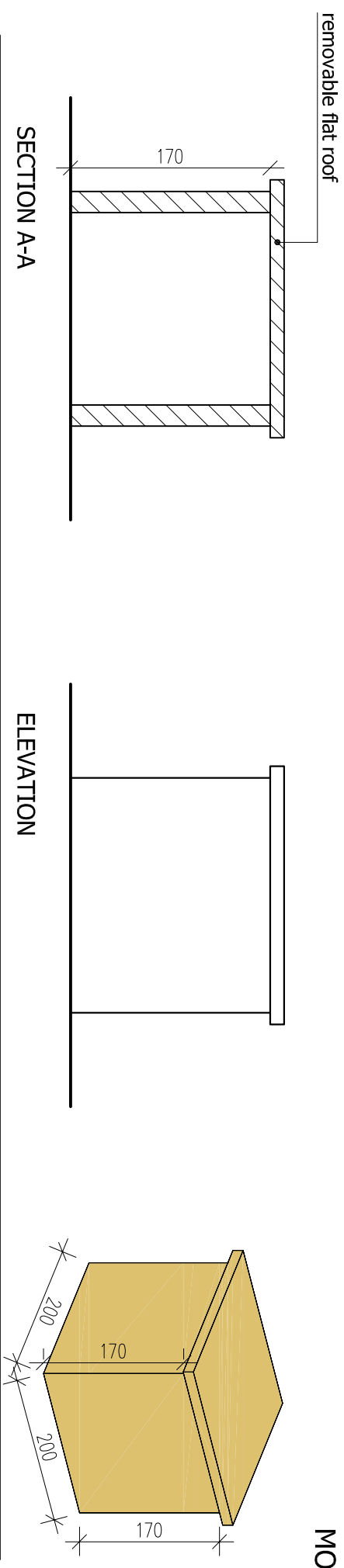
COVER_2 OF DARK CHAMBER



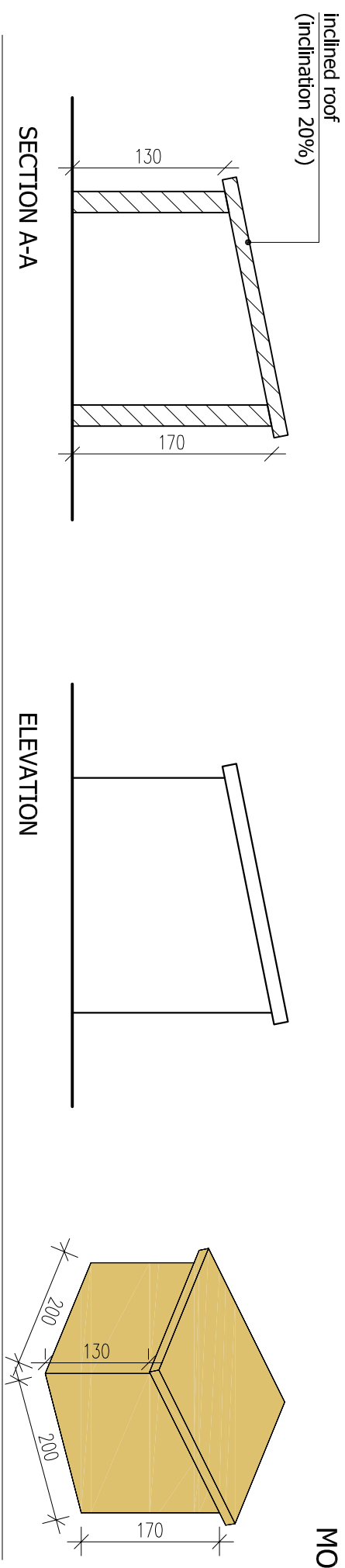
notes	designer	project	work package	dwg title	project no.	dwg no.
	P.R.K.L. SOLAR CENTURY LTD	Design, development and application of a technologically advanced system of natural daylight and artificial PV lighting - Hybrid Light Tube	WP3_ Modular scaled model design and investigation	DARK CHAMBER_ COVER_2	HLT1401	DC_07
			task	revisions	date	scale
			Dark chamber design and construction		08 / 2015	1:10

BUILDING MODELS

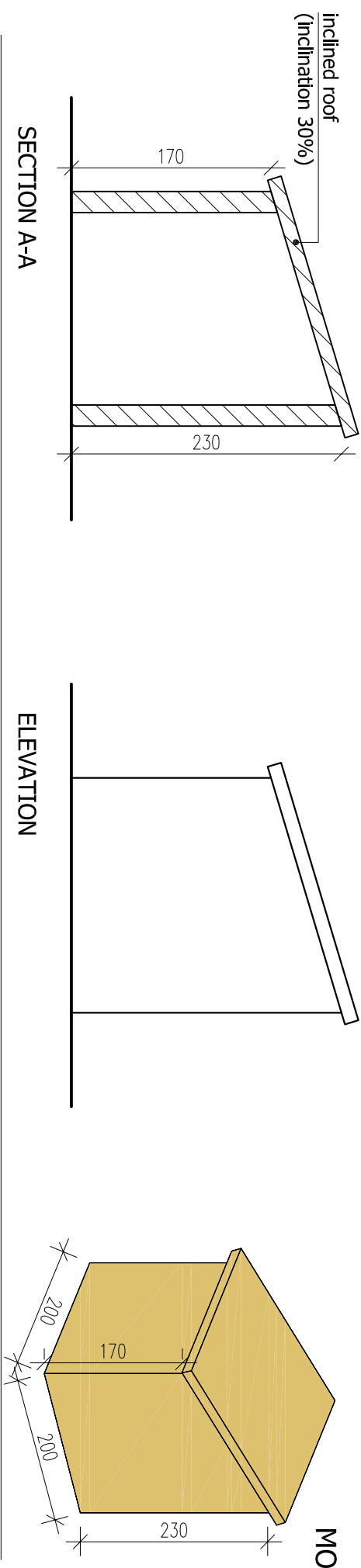
MODEL_1



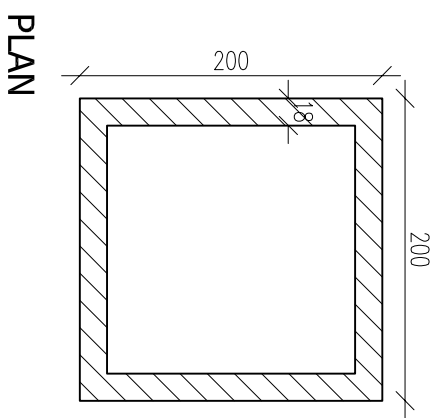
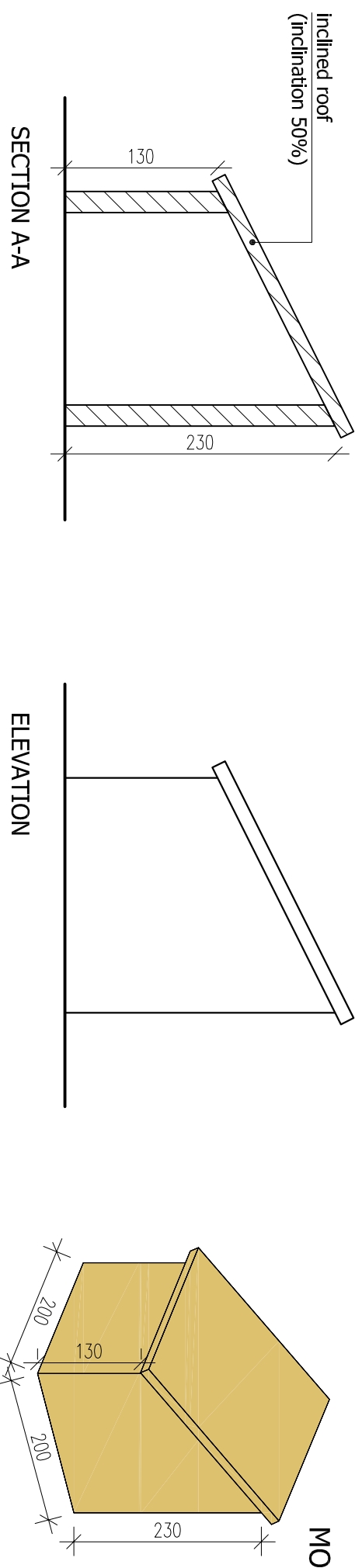
MODEL_2



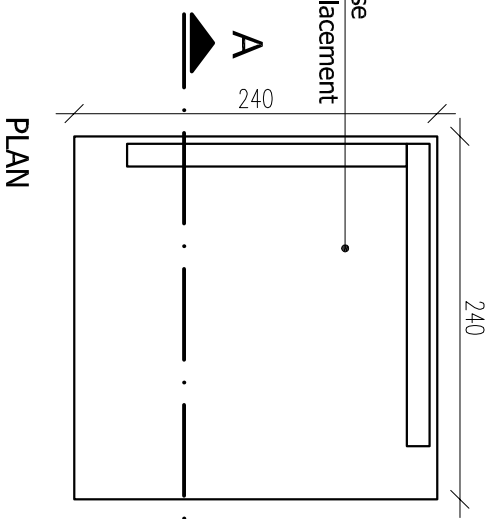
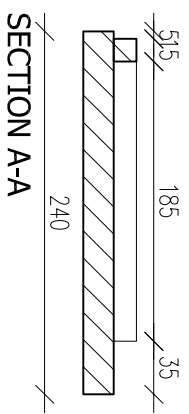
MODEL_3



MODEL_4



BASE



notes	designer	project	work package	dwg title	revisions	date	project no.	dwg no.
	P.R.K.L. SOLAR CENTURY LTD							
			task					scale
			Dark chamber design and construction			08 / 2015		1:5